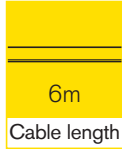
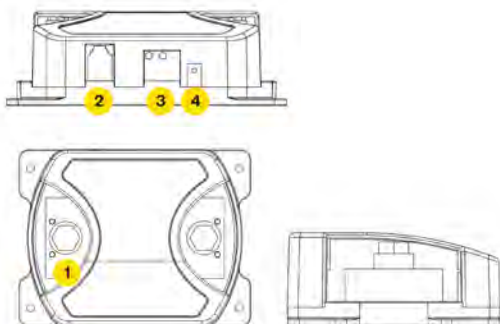


Battery Current Sensor



- Provides monitoring of inverter battery current
- Allows indication of time remaining before battery is flat
- Improves power management
- Temperature compensation sensor



- 1 Current sensor (-) connections
- 2 Sensor port (RJ-11)
- 3 Power (+) and temperature connections
- 4 Reset button

Specifications	UK/Euro
Product Code	RINVCIM
Input Voltage	12V DC (nominal)
Input/Output Current	500A (max)
Battery Cables Gauge / Length	2 x 38mm ² / 30cm 1 x 22mm ² / 30cm
Data cable Length	1 Metre
Temp sensor cable length	3 Metres
+12V Power cable length	1.75 Metres
Dimensions	120 x 91.2 x 40mm
Weight	1.0kg
Approvals	CE-EMC / RoHS / WEEE / E-Mark
Case Quantity	20 x 1
Barcode	5055175242859

Ring Automotive Limited . Gelderd Road, Leeds, LS12 6NA United Kingdom
 Telephone +44 (0)113 213 2000 . Fax +44 (0)113 231 0266
 Email autosales@ringautomotive.com . www.ringautomotive.com

