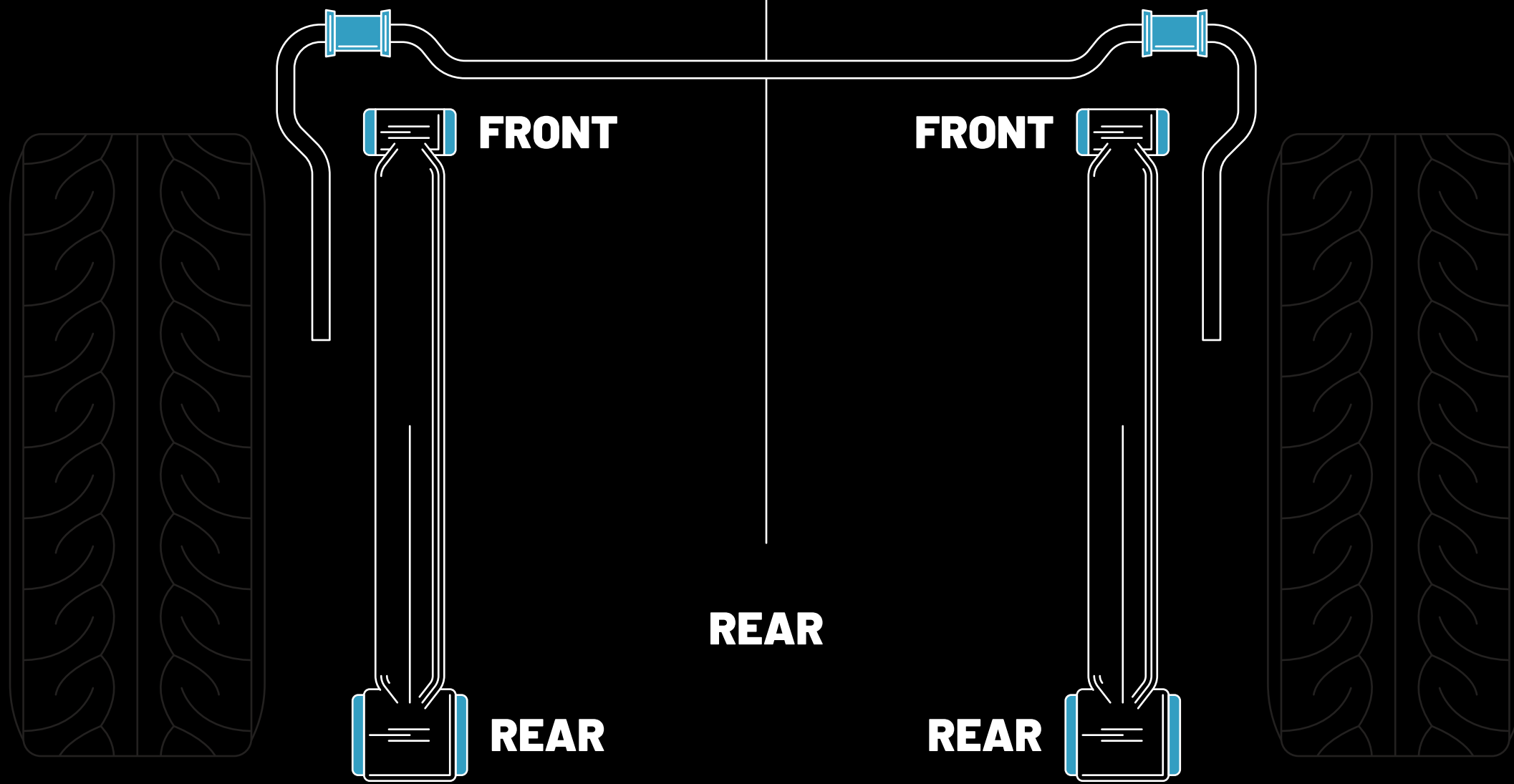
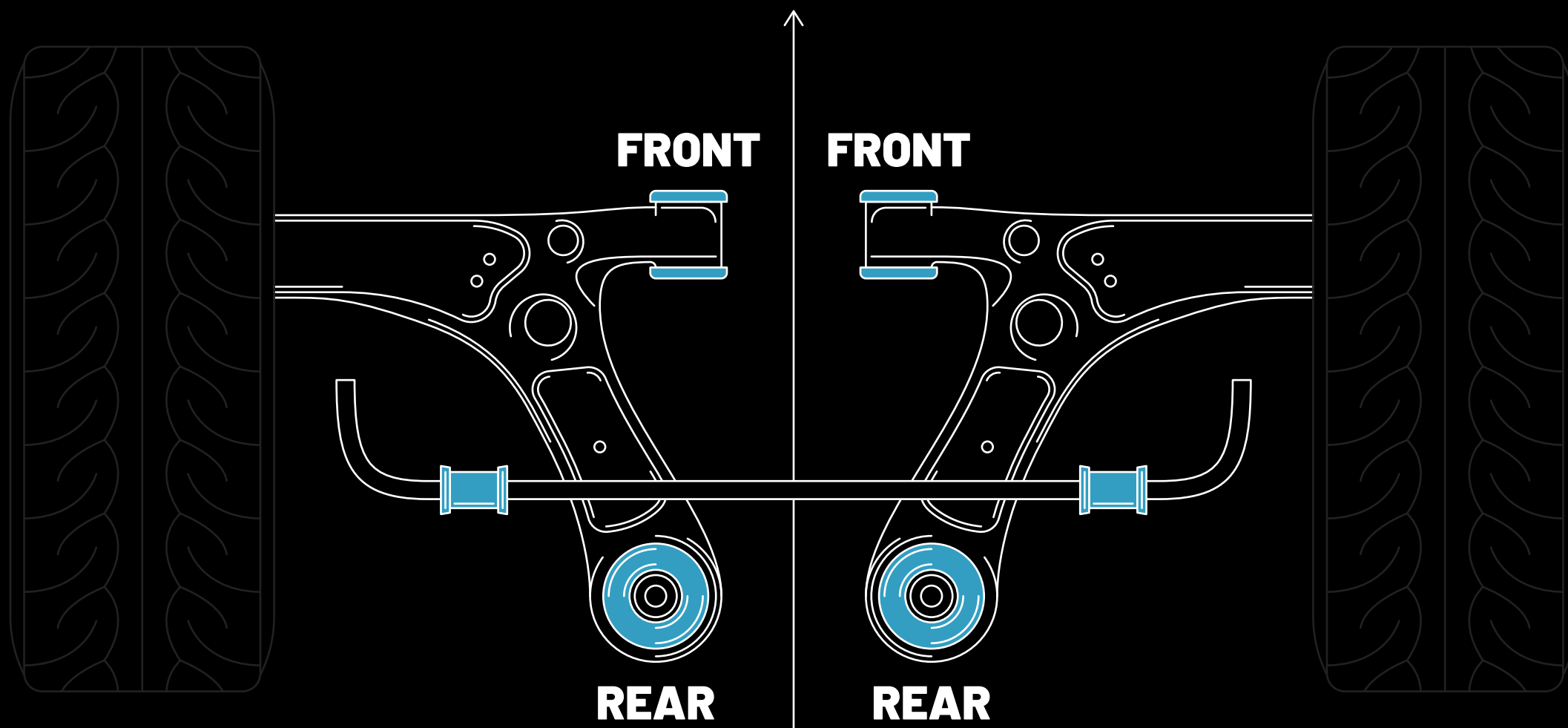


FRONT



VS